

**CPC(D) 40/45/50/55**  
 QC13XK2  
**CP(Q)YD 40/45/50**  
 KU2XK2

	( )		-	-
	( )		-	-
	( )			
	(10km/h)			
	OPS			
	OPS			
	FICS ( )			
	FICS ( )			
	( )		-	-
	( HELI )		-	-
	( HELI )			
	USB			

		2230mm	120mm		
		( )			
	/				
		PC			
		3			
		LED			
		LED			
		LED ( )			
		LED ( )			
		LED ( )			
		4			



**ANHUI HELI CO., LTD.**

Add / No. 668, FangXing Road, Hefei, China  
 (Post Code) / 230000

(Customer Service Hotline) / 4001-600761  
 (Service Tel) / +86-551-63689000, 63648005

# 传承经典 全新启航



01-02



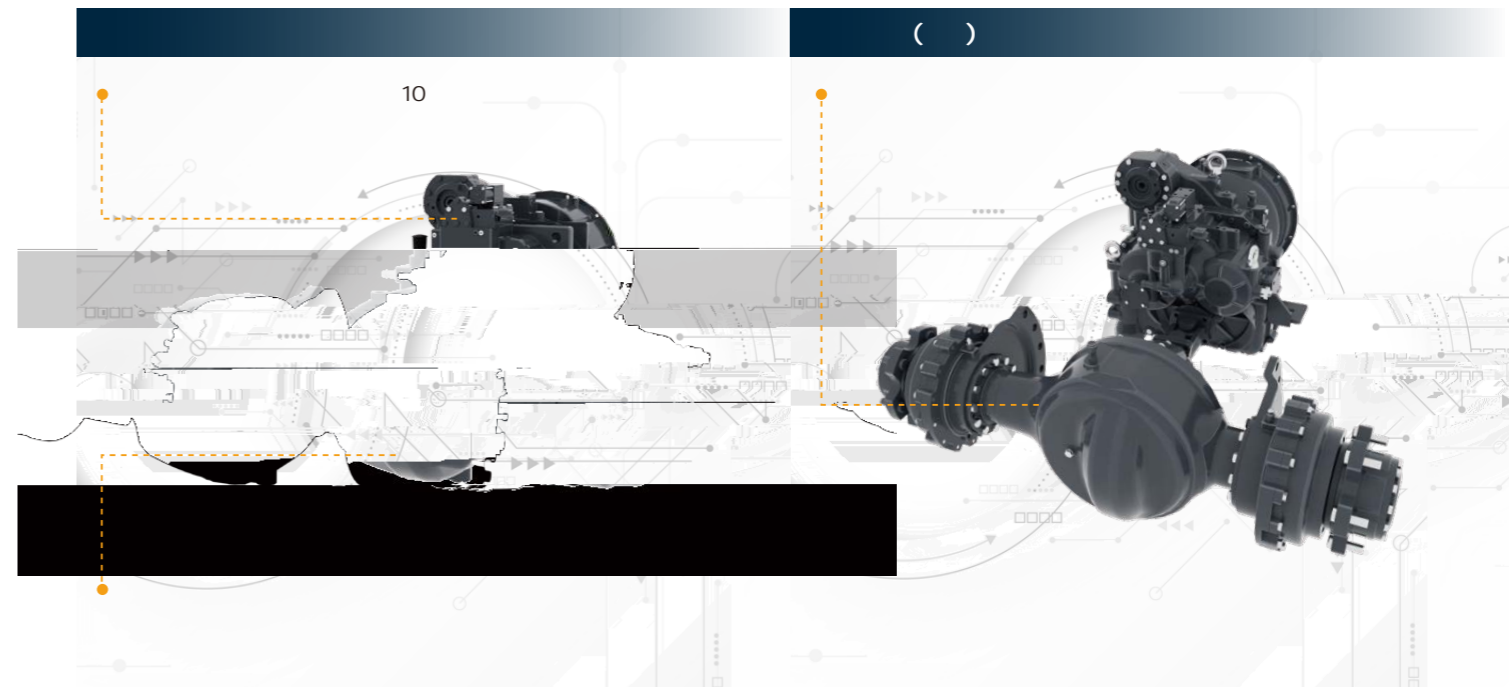
03-04

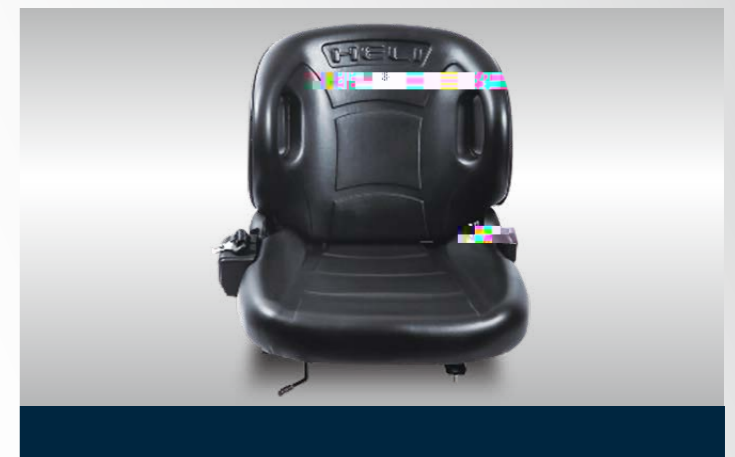
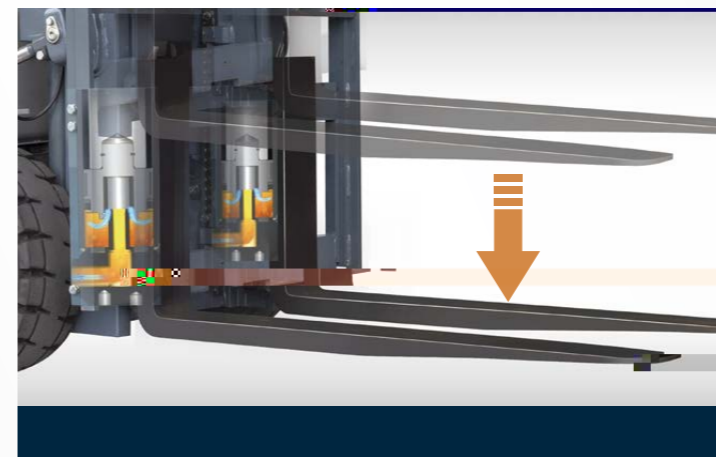
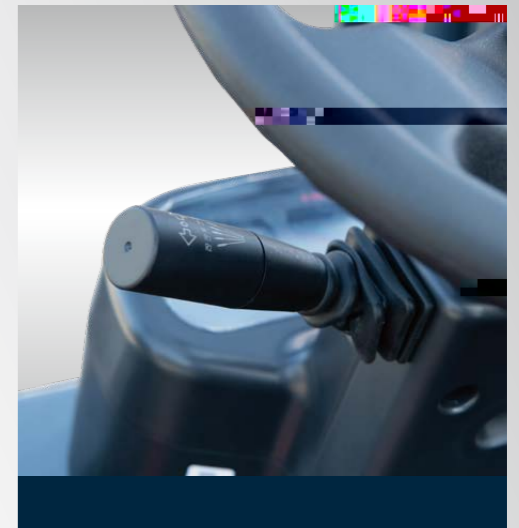


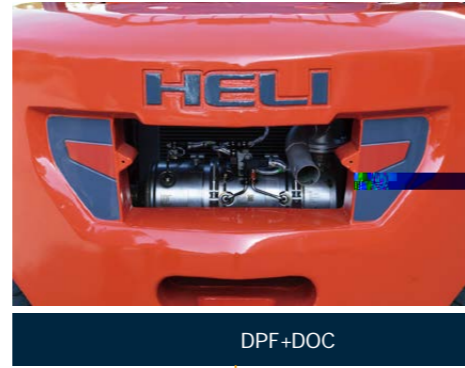
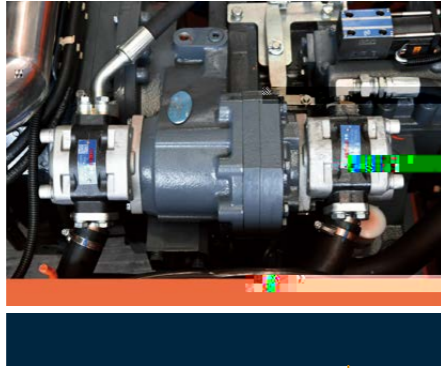
05



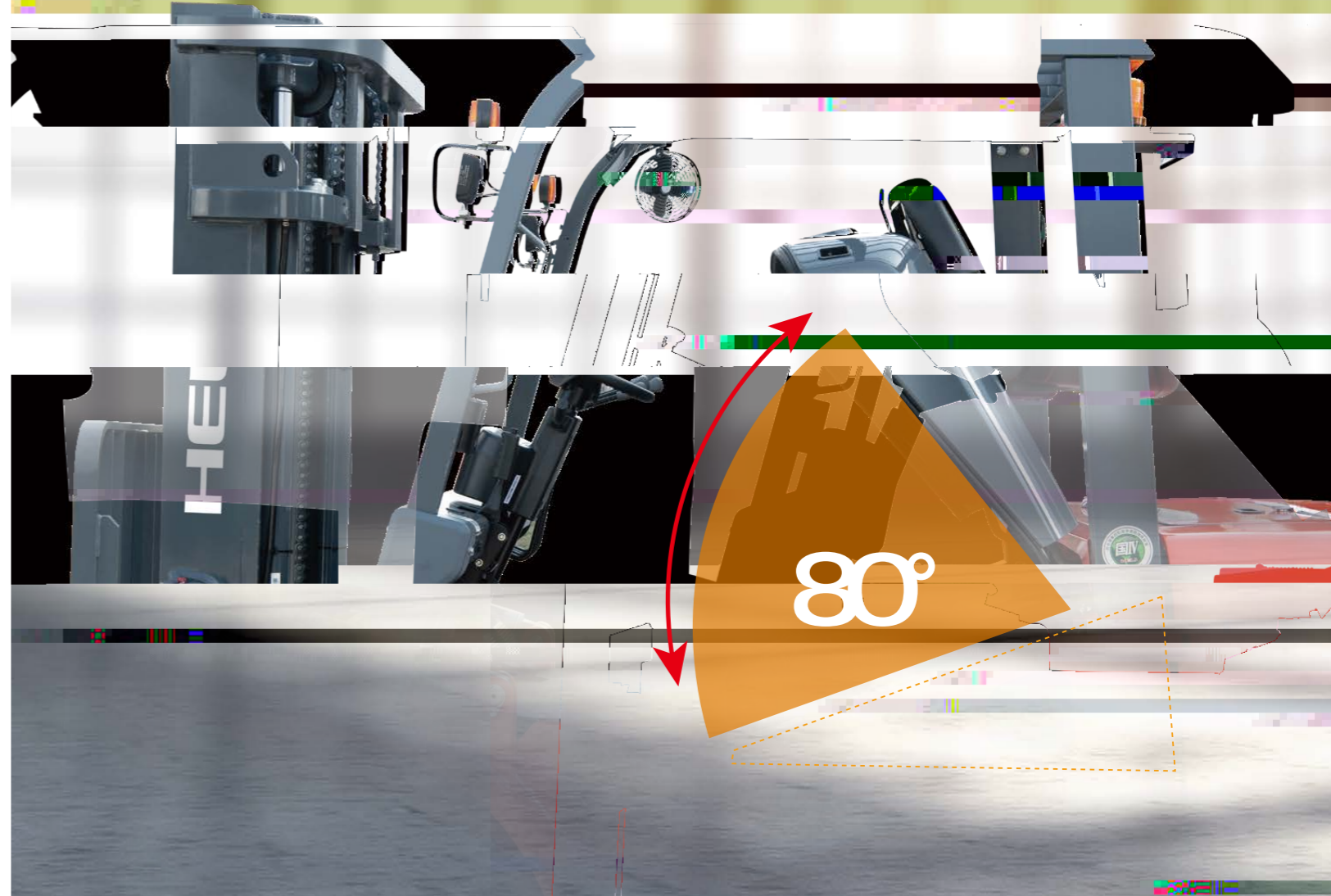
06







DPF+DOC



**HELI**

